

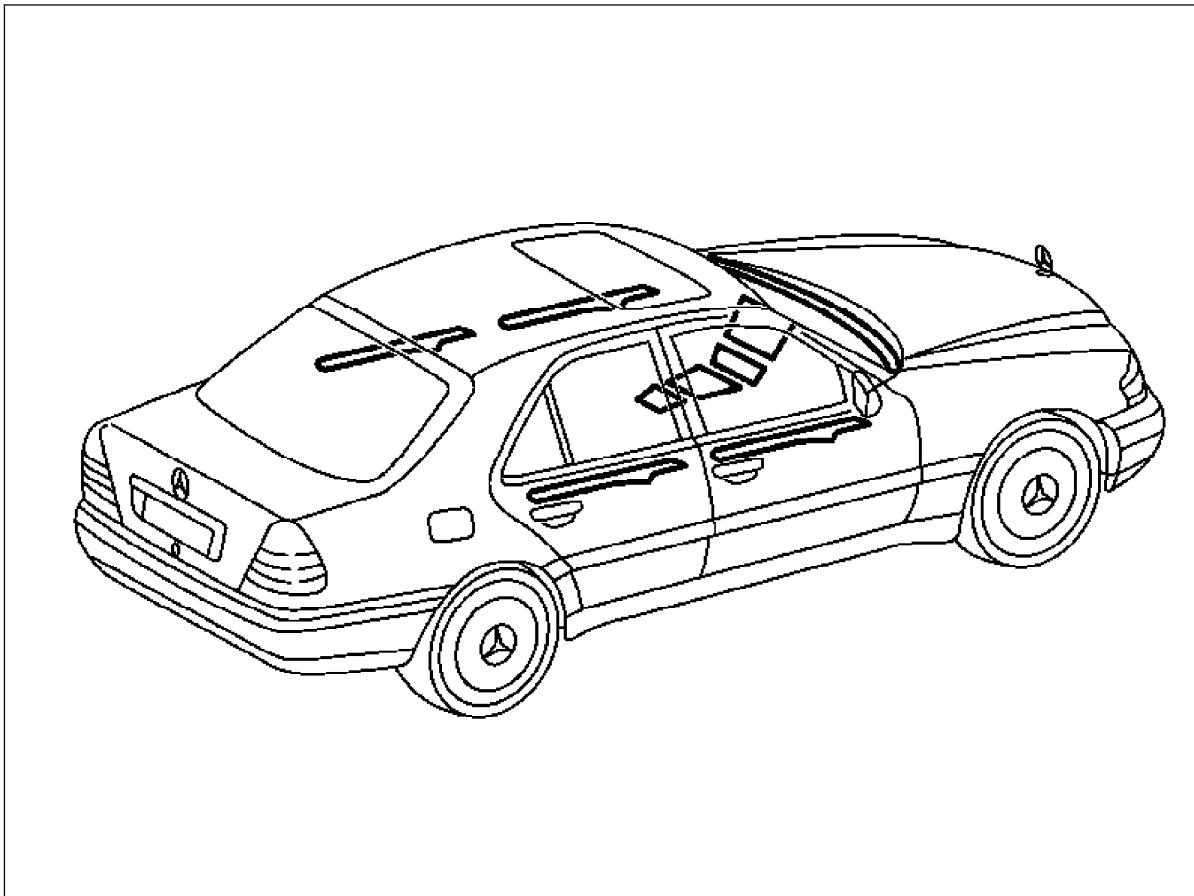


Installation instructions

High-quality wood parts

68.01

Model 202



P68-5313-57

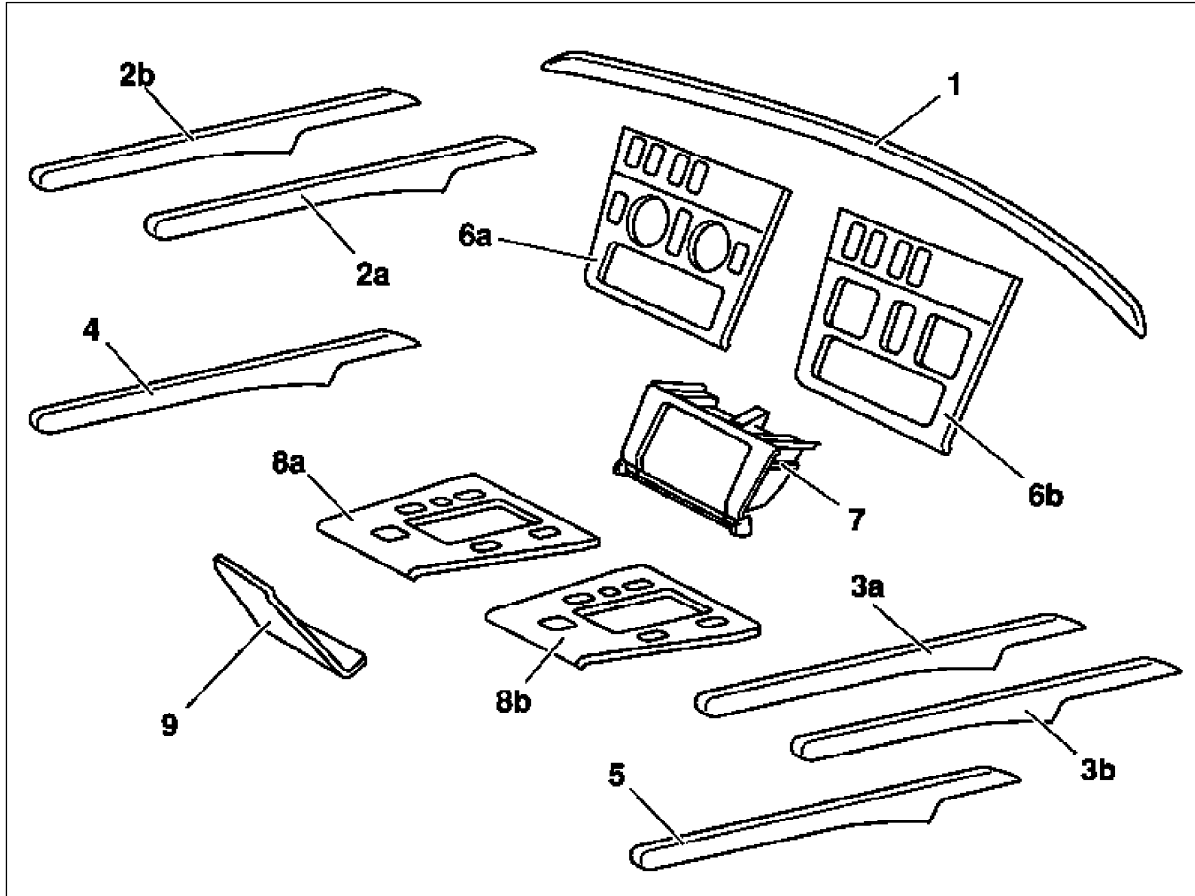
The installation instructions are divided up into the following sections:

- A. General work
- B. Survey of high-quality wood parts
- C. Location and installation of high-quality wood parts in the vehicle

A. General work

Door lining on front doors _____ remove, install (72.10-1000E).
Door lining on rear doors _____ remove, install (72.10-1010E).
Radio _____ remove, install (82.60-7502EA).

B. Survey of high-quality wood parts

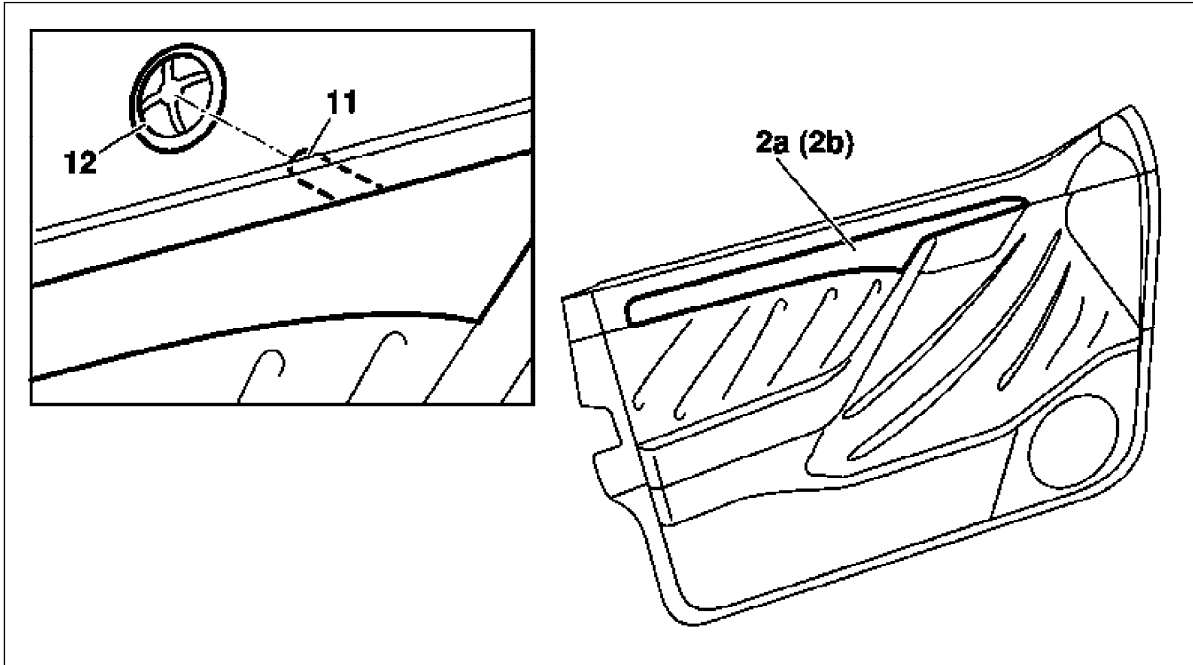


P68-5314-57

Survey of high-quality wood parts

1	Dashboard trim strip	6b	Trim panel for dashboard (automatic climate control)
2a	Door lining trim strip, front left	7	Ashtray (not required on vehicles with large oddments tray)
2b	Door lining trim strip, front left (with electrical seat adjuster)	8a	Shift lever cover with dome
3a	Door lining trim strip, front right	8b	Shift lever cover without dome
3b	Door lining trim strip, front right (with electrical seat adjuster)	9	Trim cover panel, oddments tray (not required on vehicles without dome)
4	Door lining trim strip, rear left		
5	Door lining trim strip, rear right		
6a	Trim panel for dashboard (air conditioner/production)		

C. Location and installation of high-quality wood parts in vehicle



P68-5339-55

Location of high-quality wood parts

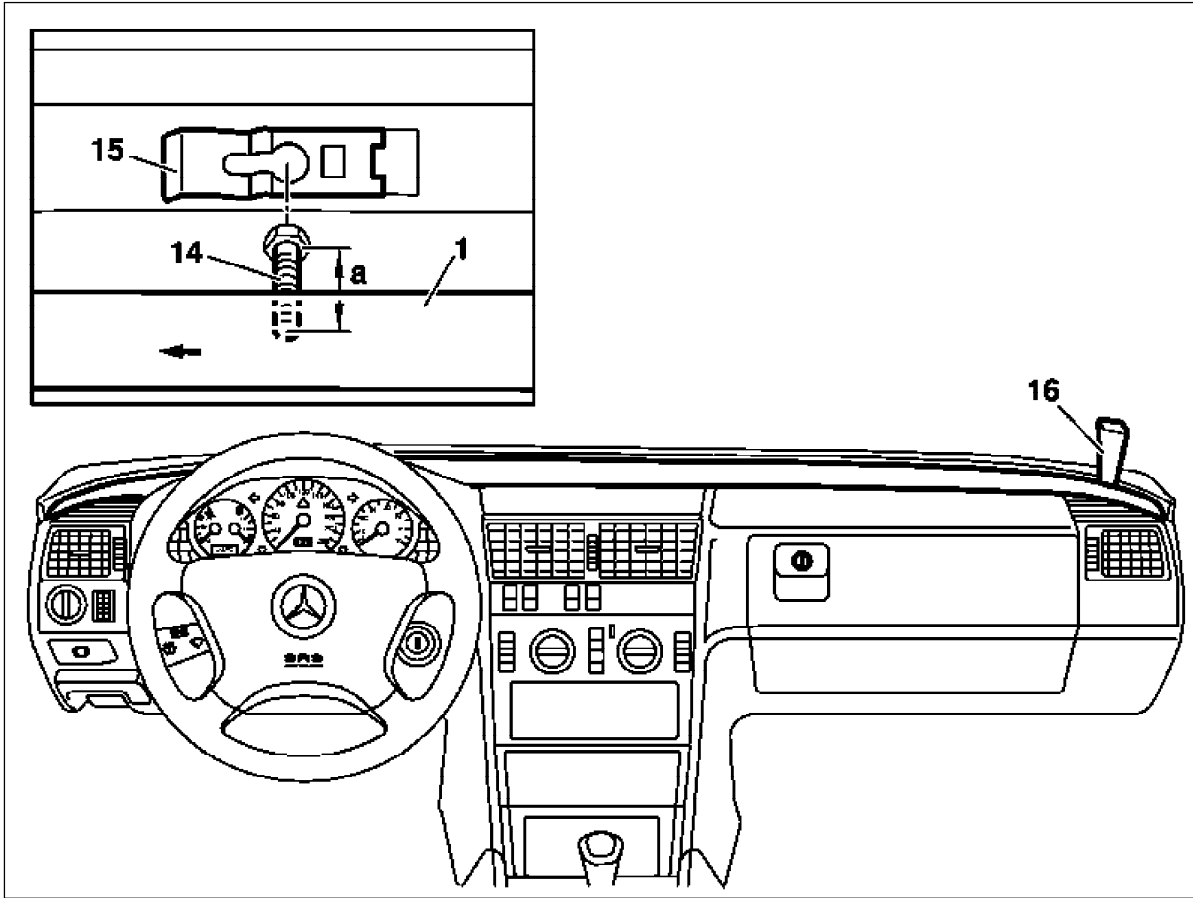
2a Door lining trim strip, front left
 2b Door lining trim strip, front left (with electrical seat adjuster)

11 Retaining pin
 12 Circlip

Note

Assembly of the door lining trim strips is identical on the front and rear doors.

- Circlips (12) _____ remove from retaining pins (11) of the standard door lining trim strip, front left.
- Standard door lining trim strip, front left _____ remove.
- Door lining trim strip, front left (2a or 2b) _____ insert.
- Circlips (12) _____ press on and secure on the retaining pins (11) with adhesive.



P68-5318-57

Location of high-quality wood parts

- | | | | |
|----|----------------------|----|-----------|
| 1 | Dashboard trim strip | 16 | Wedge |
| 14 | Retaining pin | a | Dimension |
| 15 | Retaining clip | | |



The dashboard trim strip cannot be replaced on vehicles with Classic trim.

Standard dashboard trim strip _____ pry out at right end using wedge (16).

Standard dashboard trim strip _____ push to the right in the retaining clips (15) and remove.

Note

Prior to installation of the dashboard trim strip (1), the distances of the nuts on the retaining pins (14) (dimension a) are to be transferred from the standard dashboard trim strip.

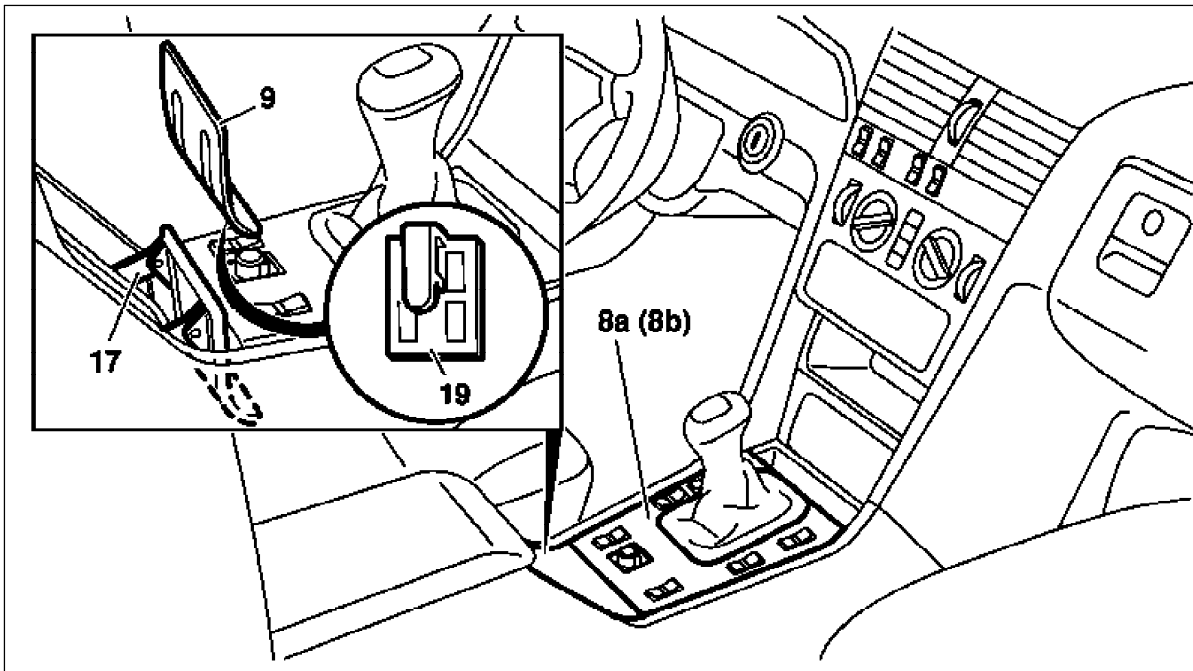
Dashboard trim strip (1) with retaining pins (14) _____ insert in the retaining clips (15).

Dashboard trim strip (1) _____ push into the retaining clips (15) in the direction of the arrow.

Note

If the dashboard trim strip is loose or too tight, then the distances of the nuts on the retaining pins (14) must be readjusted.

Dashboard trim strip (1) _____ press in at the right-hand end.



P68-5340-55

Location of high-quality wood parts

8a	Shift lever cover with dome	17	Cover
8b	Shift lever cover without dome	19	Hook
9	Trim cover panel, oddments tray (not required on vehicles without dome)		

Standard trim cover panel, oddments tray _____ detach and withdraw upwards.

Trim cover panel, oddments tray (9) _____ insert and engage at the bottom of the cover (17) with the hooks (19).

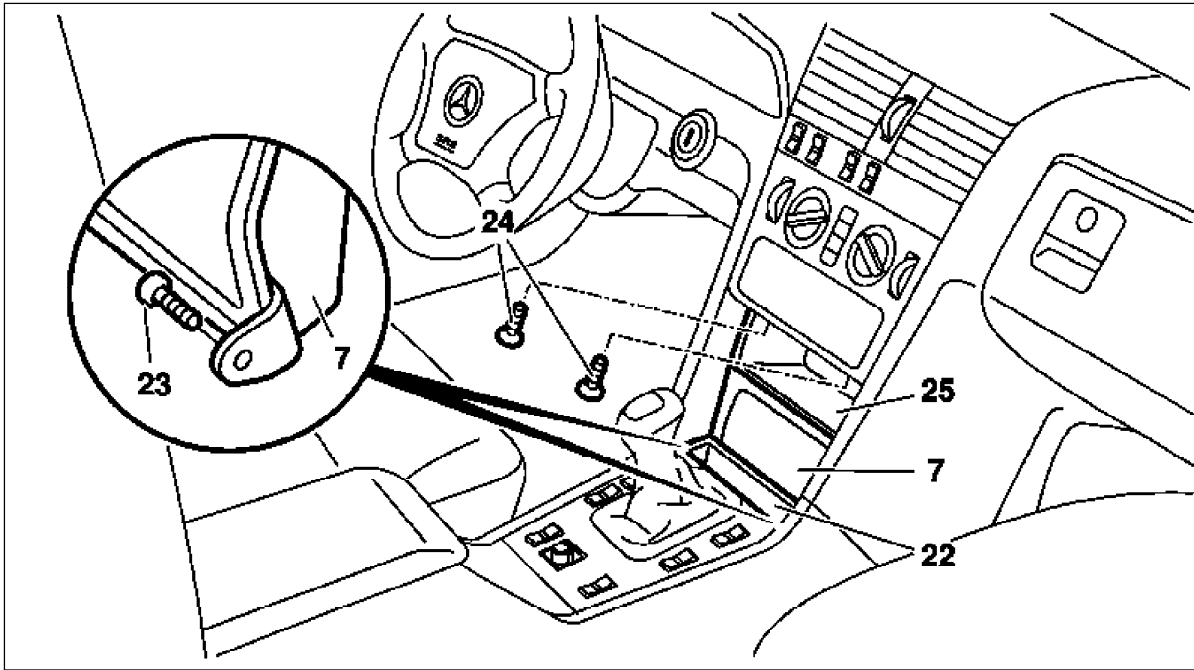
Trim cover panel, oddments tray (9) _____ secure.

Standard shift lever cover _____ pry out.

All connectors on the underside of the standard shift lever cover _____ disconnect and remove standard shift lever cover.

Frame for shift lever bellows and all switches in shift lever cover (8a or 8b) _____ install.

All connectors on the underside of the shift lever cover (8a or 8b) _____ connect.



P68-5341-55

Location of high-quality wood parts

7	Ashtray	24	Screw
22	Oddments tray	25	Upper tray
23	Screw		

Oddments tray (22) _____ remove upwards.

Screws (23 and 24) _____ unscrew and remove upper tray (25) with production ashtray.

Note

A cassette box or CD box can be fitted in place of the upper tray, but the assembly or removal and installation is the same.

Upper tray (25) _____ slide off standard ashtray.

Ashtray (7) _____ install and install ashtray insert from the standard ashtray in the ashtray (7).

Note

The screws (24) are only to be screwed in after installing the trim panel for the dashboard.

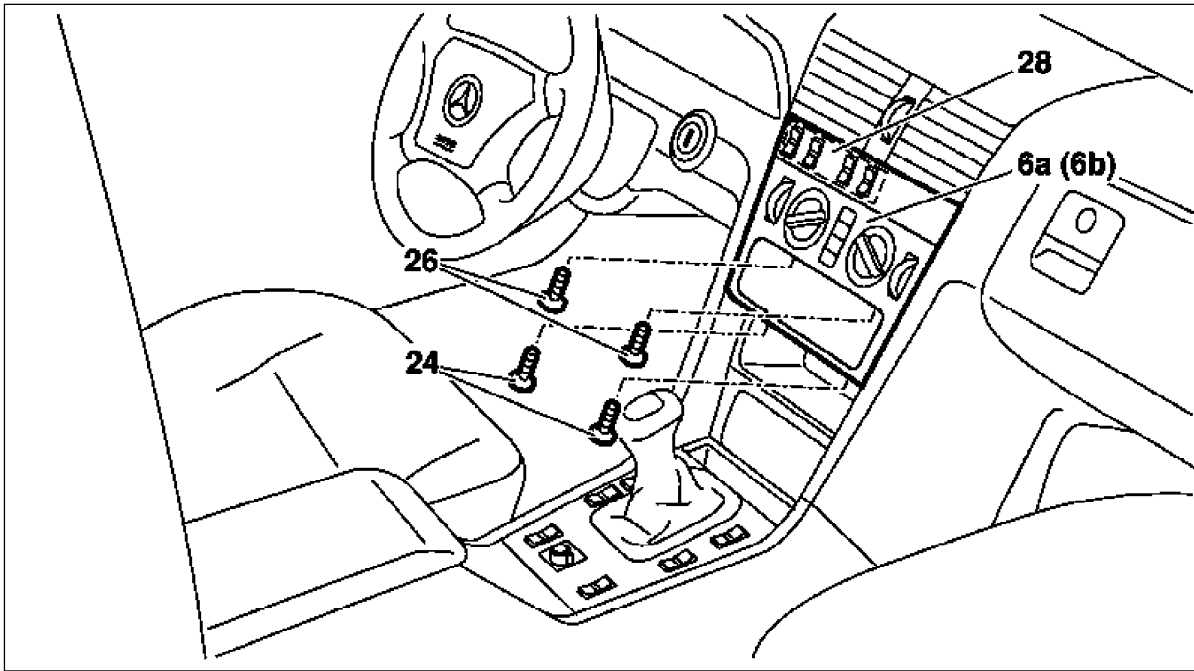
Upper tray (25) _____ slide in and screw in the screws (23).

Note

Ensure correct seating of the upper tray in the guides of the ashtray (7).

Oddments tray (22) _____ install from above.

Shift lever cover _____ install and clip securely in place.



P68-5342-55

Location of high-quality wood parts

6a	Trim panel for dashboard (air conditioner/standard)	24	Screw
6b	Trim panel for dashboard (automatic climate control)	26	Screw
		28	Switch strip

Screws (26) _____ unscrew.
 Standard dashboard panel _____ remove and unclip switch strip (28).



When installing the trim panel for the dashboard (6a or 6b), differences in the location of the switch recesses can occur. If necessary, change the switch base in the switch strip (28). The original position of the standard variant (heated rear window, central locking system and warning flasher system) must be retained.

Switch strip (28) _____ clip into dashboard trim panel (6a or 6b).
 Dashboard trim panel (6a or 6b) _____ insert and screw in the screws (24 and 26).
 Function check _____ perform.